

TABLE 1	1.3 kW		1.95 kW		TABLE 2	1.3 kW	1.95 kW
Rated Voltage (V)	115	230	115	230	Heated Zone	6-9m ²	9-12m ²
Rated Current (A)	11.3	5.7	17.0	8.5	<i>This area heated figure is based on use indoors and a mounting height of 2.3 - 2.5m</i>		
Fuse/Circuit Breaker Rating (A)	16	10	25	16			

RATED POWER	PART NO.	ELEMENTS	FRAME
1.3 kW (2 x 650 W)	IR2-1300W	Two white glazed ceramic elements	Stainless steel body
1.3 kW (2 x 650 W)	IR2-1300B	Two black glazed ceramic elements	Black powder coated stainless steel body
1.95 kW (3 x 650 W)	IR3-1950W	Three white glazed ceramic elements	Stainless steel body
1.95 kW (3 x 650 W)	IR3-1950B	Three black glazed ceramic elements	Black powder coated stainless steel body

INSTALLATION AND OPERATING INSTRUCTIONS

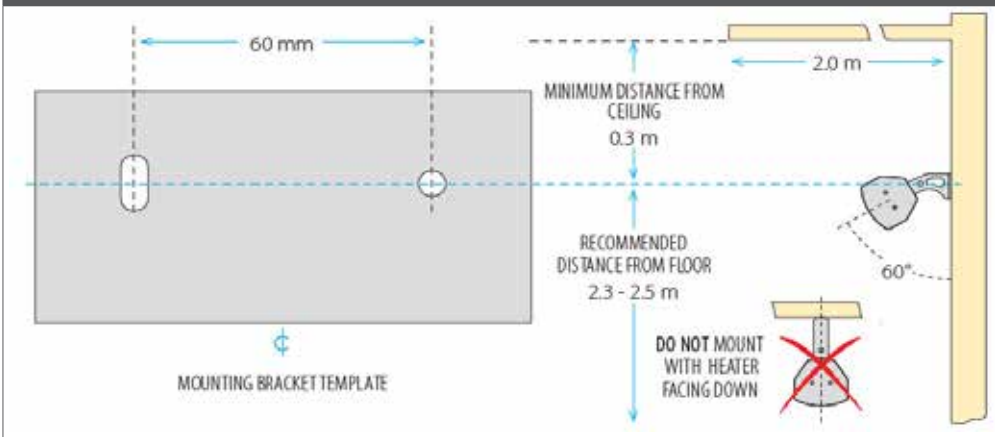
Heating large indoor spaces is both a necessity and a challenge - and in certain circumstances a legal requirement. The low operating costs, large heat area and high reliability of the Herschel Advantage IR2 and Herschel Advantage IR3, are why industrial units, workshops and public spaces are turning to the Herschel Advantage IR range as the system of choice for reliable, cost-effective and failsafe indoor heating.

The Herschel Advantage IR consists of 2/3 highly emissive ceramic heating elements mounted in a directional, reflective grill-protected unit. It is designed to gently warm people in large indoor spaces using infrared heat.

Infrared heat is a 100% natural radiating heat that humans readily absorb, producing a feeling of great comfort and well-being. Infrared heat produced from the Herschel Advantage IR warms you directly without heating the air in between: meaning the heat goes where you want it to and doesn't just convect upwards to heat the ceiling. No wonder customers immediately warm to Herschel Advantage IR.

The system is easy to install; extremely discreet, produces no red glow and requires next to no maintenance. The heater will directly warm people within the lower range of the Heated Zone (note: air movement may reduce area coverage). Within enclosed areas the thermal mass of the building will also be heated within the entire zone. Dependent upon the property age/type, insulation levels, number of heaters used and running times this will increase the ambient temperatures. For larger commercial projects or where different mounting heights are required we would always recommend Herschel carry out a survey or detailed desktop assessment.

DIAGRAM 1



IMPORTANT

The heating elements reach very high temperatures without visible signs of the unit being on. Because Advantage IR2 & IR3 are not fitted with a protective grill, the heaters are not for domestic or household use. Also, the heaters must not be used or installed in any commercial premises where they can be accidentally touched or where there is a risk of damage to the ceramics elements.

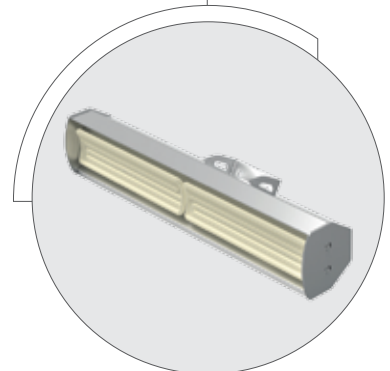
In areas with air movement/wind the directional Far Infrared spread may reduce by 1/3 to 1/2. In these areas we recommend mounting at the lowest height and proportionally increasing the number of heaters.

The Herschel Advantage IR rises to very high temperatures in use and the unit (in particular the heater elements) must not be touched when power is applied.

Do not touch the unit when it is on. After switch off the elements remain hot for a considerable time and the unit should not be touched for a minimum of 30 minutes. NEVER use the heater to ignite materials. Ensure supply voltage does not exceed 245 volts.

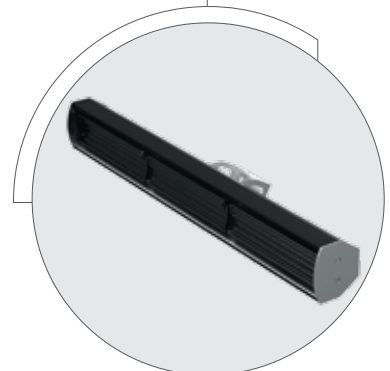
HERSCHEL IR 2

powered by ceramicx



HERSCHEL IR 3

powered by ceramicx



2/3 Ceramicx FTE Ceramic Elements

IR2 Heater Size 509 x 100 x 166mm - 3.4kg

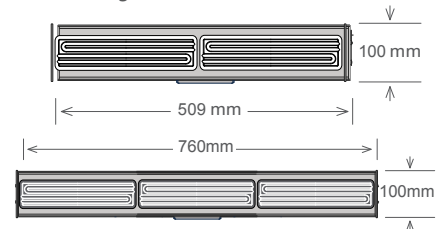
IR3 Heater Size 760 x 100 x 166mm - 4.4kg

Aluminised steel reflectors

Heating Up Time < 5 Minutes

Useful Wavelength Range 2 - 10 µm

IP rating: IPX4



For Commercial Use Only
Installed ceramic heaters are
UL recognised (file no. E214574)



IMPORTANT INFORMATION

Please read the following information fully, as safe and reliable operation depends on correct installation. Please keep this instruction sheet for future reference.

The AC mains supply is dangerous and potentially lethal. Ensure the mains supply is switched off at the consumer unit (fuse box) before attempting any work on electrical circuits. Wiring to this unit must be connected in accordance with the relevant national electrical safety standards. This unit must only be installed by a competent and qualified electrician. This appliance must be earthed.

ELECTRICAL INFORMATION

The electrical supply to the unit should be provided by connecting to a circuit, which is protected by a fuse or miniature circuit breaker suitable for the electrical rating of the unit and in accordance with Table 1.

The supply to the Herschel Advantage IR must be separately switched. Alternatively a switched fused spur taken from a ring main can be used. The spur fuse should also be rated in accordance with the appropriate table. In either case the switch used to operate the Herschel Advantage IR must be indoors and readily accessible.

The cable used to connect to the existing wiring should be correctly rated solid core wiring cable. Please note that the use of flexible appliance cable with stranded conductors for permanent wiring (except for the final connection between a cable outlet and the fixed equipment) is prohibited by IEE wiring regulations. Where applicable, these regulations preclude the use of a 13A plug and socket for powering the Herschel Advantage IR.

For the final connection to the Herschel Advantage IR, only the flexible cable and cable entry supplied with the unit must be used. The cable must connect to the supply in a suitable enclosure or cable outlet designed for that purpose. The cable outlet current carrying capacity must be greater than the recommended fuse current rating given in Table 1.

If the cable outlet is outdoors it must be of waterproof construction. If the flexible cable is taken through an outside wall for connection purposes, suitable conduit or mechanical protection must be used through the wall to protect the cable from mechanical damage within the wall. The mounting position of the unit must ensure that any mechanical damage to the flexible cable is unlikely. If physical damage to the cable is possible, suitable conduit protection must be provided.

MOUNTING POSITION (see Diagram 1)

The Herschel Advantage IR must be located in a position to allow proper and efficient use but one that ensures hot parts are not touched accidentally. The recommended installation height of the Advantage is 2.3m to 2.5m (90"-98") from the floor and under no circumstances is it to be installed at less than 2.3m from the floor. In all cases it should be installed at a height where it cannot be touched in operation. Consideration should be given to any temporary or occasional additions such as stages or platforms, and the height should be adjusted accordingly.

The Herschel Advantage IR should be firmly and permanently attached to the wall using the bracket supplied, with the heaters angled down at 60 degrees from vertical. The Herschel IR must not be attached so as to face or be close to any combustible material (eg, wood or PVC cladding, fascia or soffit).

EXTERIOR USE

The unit is protected against water ingress (protection level IPX4), however it is recommended that the unit is installed in a covered outdoor area to give maximum protection and longevity against the effects of driving rain, wind, frost, salt and water contaminations, etc.

The canopy/roof/cover must be of a permanent nature, there must be a minimum clearance of 0.3m (12") between the cover and any part of the Herschel Advantage IR and the cover must extend a minimum of 2m (79") from the wall.

WARRANTY

The Herschel Advantage IR is guaranteed against failure due to faulty materials or workmanship for five years from date of purchase. In the unlikely event of failure of the unit within this time, the unit must be returned to the supplier for repair or replacement. The Herschel Advantage IR contains no customer-maintainable parts.

The guarantee is invalid if the correct instructions have not been adhered to.

MAINTENANCE

The Herschel Advantage IR is maintenance free but to maintain appearance it should occasionally be cleaned all over with a soft dry cloth. No abrasive cloths or cleaners should be used and appliances such as pressure washers, steam cleaners, etc, should never be used.

Cleaning should only be done when the unit is cold and switched off. All personnel cleaning and maintaining the unit must have suitable training and information to carry out the operation safely.

IMPORTANT NOTICE TO PURCHASER

Before utilizing the product, the user should determine the suitability of the product for its intended use. HERSCHEL INFRARED LTD expressly disclaims the implied warranties and conditions of merchantability and fitness or a particular purpose. In no case shall HERSCHEL INFRARED LTD be liable under any legal theory, including but not limited to contract or strict liability, for any direct, indirect special, incidental or consequential damages resulting from product use.

Check that the mains supply is switched off, and then provide the mains supply connection to the Herschel Advantage IR using the specifications supplied earlier.

The BROWN wire is to be connected to LIVE ('L'), the BLUE wire to NEUTRAL ('N') and the GREEN/YELLOW wire to EARTH ('E'). Any exposed flexible cable is to hang DOWN (not tied up) and must have adequate clearance from the heater to prevent scorching or damaging the cable.



the future of heating – today

www.herschel-infrared.com

Herschel Infrared Ltd © / 04-03-2015